

PERISTALTIC PUMP KingPump

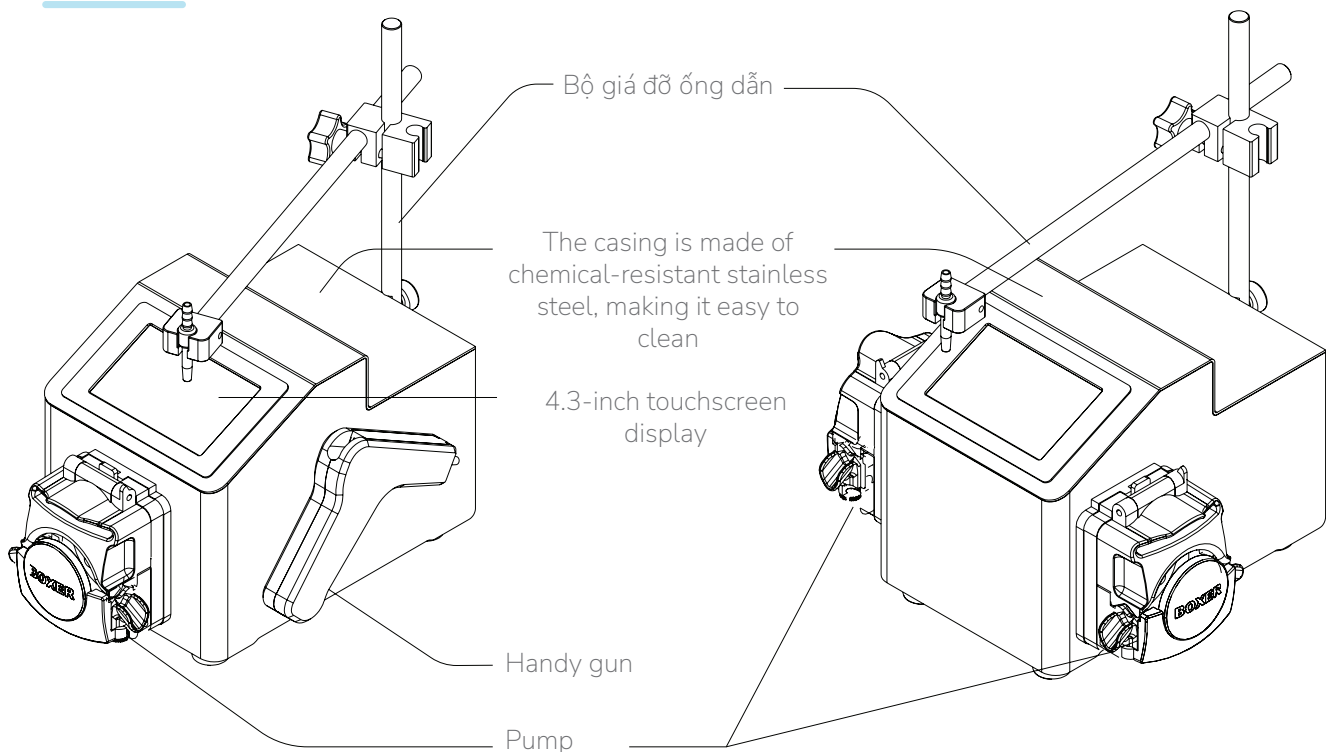


- ✓ Single or double pump head
- ✓ Compact size
- ✓ Convenient features
- ✓ User-friendly interface

PURPOSE

KingPump - peristaltic pump device designed for dispensing culture media, agar, or any diluent for volumes ranging from a few microliters to several liters

CONSTRUCTION



SPECIFICATIONS



Model	KingPump1	KingPump2
External Dimensions (LxWxH)	L150 x W176 x H295 mm	L300 x W176 x H295 mm
Dose volume	50 µL to 99 L	
Dispensing modes	Continuous - Dose - Multi-dose	
Pump Head	1	2
Typical precision with inner diameter 3.2 mm tubing	10 mL: >98% - 20 mL: >99% - 225 mL: >99.5%	10 mL: >98% - 20 mL: >99% - 225 mL: >99.5%
The inner diameter of the tubings	3.2 mm, 4.8 mm, 6.4 mm	
Tubings wall thickness	2.4mm	
Flow rates	1.5 mL/mn to 1.25 L/mn	3 mL/mn to 2.5 L/mn
Pump head rotating speed	10-400 rpm	
Weight	4kg	6kg
Input voltage	220-240 V~ 50-60 Hz	
Power	40W	

ACCESSORIES

1. Independent stand for ready-to-used bags
2. Tubings
3. Pump
4. Adjustable dispensing arm
5. Nozzles
6. Handy gun
7. Trocar



Products	Order Code	Description
Handy gun	KingHandyGun	Dispensing control with handy gun including electronic start button
Independent stand for ready-to-used bags	KingStand	Independent stand for 2 ready-to-used bags
Trocar	KingTrocar	Trocar for ready-to-used bags
Adjustable dispensing arm	KingHolder	Adjustable dispensing arm for tubings (ø 3.2, 4.8, 6.4 mm)
Nozzles (ø 3.2, 4.8, 6.4 mm)	KingNozzle-M	Material: Inox 304, suitable for various tubings sizes.
TubeWeight (ø 3.2, 4.8, 6.4 mm)	KingTubeWeight-M	Material: Inox 304, suitable for various tubings sizes.
Tubings (ø 3.2 mm)	KingTubing 3.2	The inner diameter of the tube is ø 3.2 mm with a wall thickness of 2.4 mm.
Tubings (ø 4.8 mm)	KingTubing 4.8	The inner diameter of the tube is ø 4.8 mm with a wall thickness of 2.4 mm.
Tubings (ø 6.4 mm)	KingTubing 6.4	The inner diameter of the tube is ø 6.4 mm with a wall thickness of 2.4 mm.