



SHAKER

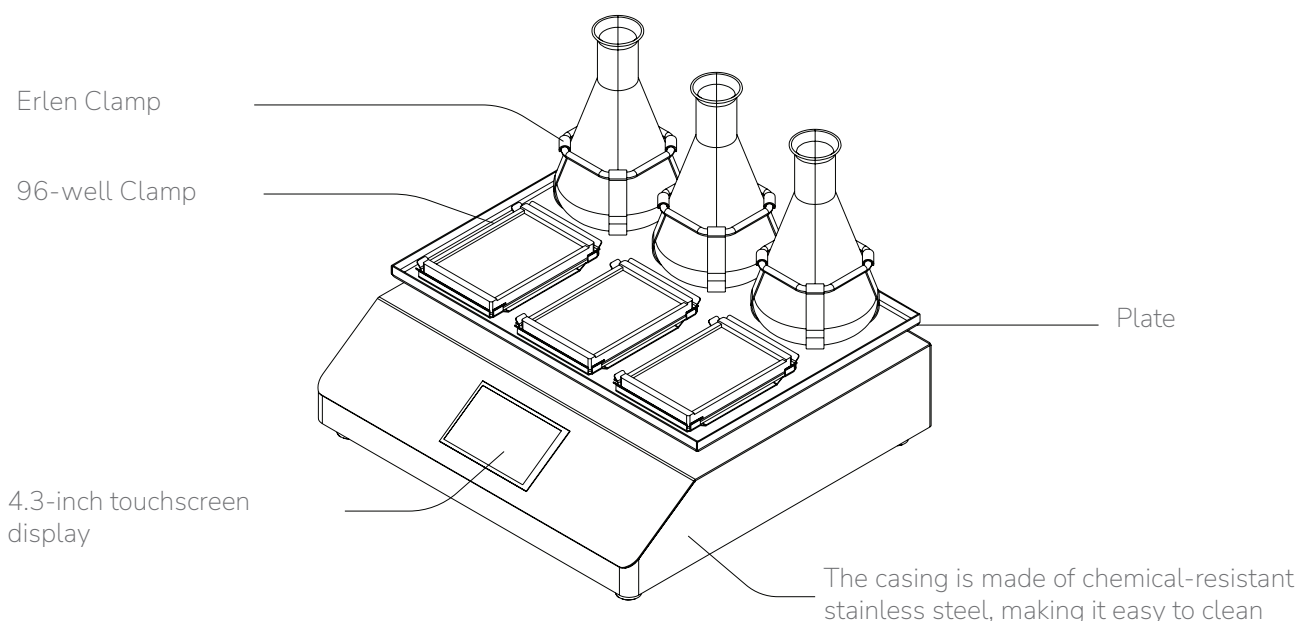
KingShaker

- ✓ Compact size
- ✓ User-friendly interface
- ✓ 3-year warranty

PURPOSE

- Designed to meet the needs of shaking and mixing in various environmental conditions such as room temperature.
- The shaker operates in a temperature range from 0 to 60°C with humidity up to 100% and various gas mixtures including CO₂, Nitrogen, etc., allowing users to achieve the desired temperature control for applications in tissue culture and molecular biology.
- Provides an effective anti-slip rubber platform with various sizes of holders for triangular flasks and test tubes.

CONSTRUCTION

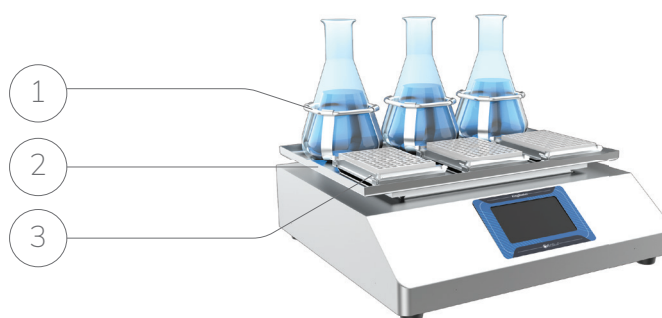


SPECIFICATIONS

Model	KingShaker_CO2
External dimensions (LxWxH)	L377 x W363 x H126 mm
Plate dimensions (LxWxH)	L365 x W265 x H12 mm
Oscillation Speeds	5 to 300rpm
Step up the speed	1rpm
Shake amplitude	19mm
Time Range	1 second to 99 minutes, 59 seconds
Maximum Capacity	10kg
Input voltage	220/240 50hz
Power	55W
Motor	made in Germany
4.3-inch touchscreen display	✓
Made in Vietnam	✓
3-year warranty	✓

ACCESSORIES

1. Erlen Clamp
2. Plate
3. 96-well Clamp



Products	Order Code	Description
500mL Erlen Clamp	KingErlenClamp.500	Stainless steel (SUS 304) stand for 500mL Erlen Clamp
1000mL Erlen Clamp	KingErlenClamp.100	Stainless steel (SUS 304) stand for 1000mL Erlen Clamp
96-well Clamp	King96-wellClamp	Stainless steel (SUS 304) stand for 96-well Clamp
Eppendorf Clamp	KingEppendorfClamp	Stainless steel (Inox 304) material can be used for all types of tubes according to customer requirements. The quantity of tubes can be adjusted as needed.
Plate (Optional)		
03 - 500mL Erlen Clamp, 03 - 96-well Clamp	KingPlate.03.03.00	Plate designed to shake 03 - 500mL Erlen Clamp and 03 - 96-well Clamp
03 - 1000mL Erlen Clamp, 02 - 96-well Clamp	KingPlate.03.02.00	Plate designed to shake 03 - 1000mL Erlen Clamp and 02 - 96-well Clamp
06 - 500mL Erlen Clamp	KingPlate.06.00.00	Plate designed to shake 06 - 500mL Erlen Clamp
04 - 1000mL Erlen Clamp	KingPlate.04.00.00	Plate designed to shake 04 - 1000mL Erlen Clamp
06 - 96-well Clamp	KingPlate.00.00.60	Plate designed to shake 06 - 96-well Clamp
Plate for Duran bottle (Optional)		
02 - 1000mL Duran bottle	KingPlateDuran.02.1000	Plate designed to shake 02 - 1000mL Duran bottle
03 - 500mL Duran bottle	KingPlateDuran.03.500	Plate designed to shake 03 - 500mL Duran bottle