

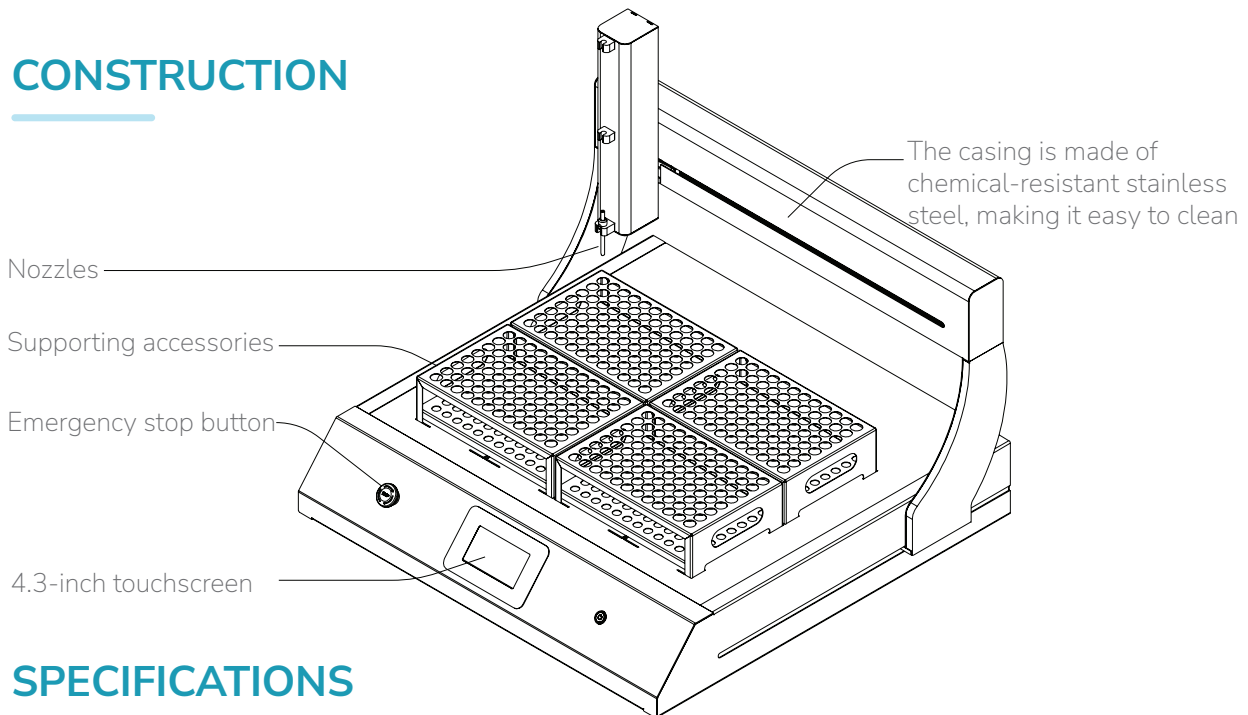
AUTOMATIC LIQUID DISPENSER KingTubeAuto - H

- ✓ Simple yet effective operation
- ✓ Precise and powerful peristaltic pump
- ✓ Convenient and easily portable and clean
- ✓ User-friendly interface
- ✓ 3-year warranty

PURPOSE

- KingTubeAuto - H is an automated liquid dispensing solution for laboratories.
- It distributes samples based on weight and volume in a simple yet efficient manner.
- The process is fast, precise, and results in aseptic samples that are easy to monitor. It's a valuable tool for laboratory settings.

CONSTRUCTION

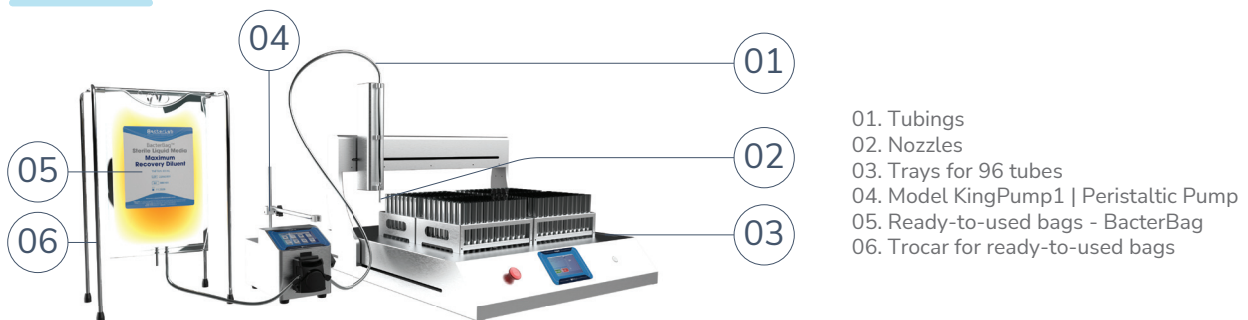




SPECIFICATIONS

Model	KingTubeAuto-H
Dispensed volume	100 μ L to 100 L
Pump	Connecting to a separate pump head.
The accuracy with a 3.2mm diameter tube	10 mL: >98% - 20 mL: >99% - 225 mL: >99.5%
The inside diameter of the tube	1.6mm, 2.4mm, 3.2mm
The wall thickness of the tube	1.6mm

Flow rates	1.5 mL/mn to 198 mL/min
The dispensing time for a 3mL tube	32 tube/min
The dispensing time for a 10mL tube	12 tube/min
The number of trays for 96 tubes (10mL-20mL).	4
The number of trays for 96 tubes (2mL-5mL).	8
The number of trays for 96-well plates	16
The axis	X:515, Y:355, Zmax:145, Zmin:50
Speed	10-400rpm
The pipes are supplied by the company	Longer Pump
External dimensions (LxWxH)	L700 x W660 x H708 mm
Weight	30kg
Input voltage	220-240 V~ 50-60 Hz
Power	80W
Control screen	4.3-inch touchscreen display
Drip tray	✓
Material stainless steel	✓
Made in Vietnam	✓
3-year warranty	✓

ACCESSORIES



	Products	Order Code	Description
	Trays for 96 tubes (2mL-5mL)	KingRack 2	Stainless steel tray for 2mL - 5mL tubes
	Trays for 96 tubes (10mL-20mL)	KingRack 10	Stainless steel tray for 10mL - 20mL tubes
	Trays for 96-well plates	DeepWell96	Stainless steel tray for 96-well plates
	Independent stand for ready-to-used bags	KingStand	Independent stand for 2 eady-to-used bags
	Trocar	KingTrocar	Trocar for ready-to-used bags
	Nozzles (ø 1.6, 2.4, mm)	KingNozzle-S	Material: Inox 304, suitable for various tubings sizes
	TubeWeight (ø 3.2, 4.8, 6.4 mm)	KingTubeWeight-M	Material: Inox 304, suitable for various tubings sizes
	Tubings (ø 1.6 mm)	KingTubing 1.6	The inner diameter of the tube is ø 1.6 mm with a wall thickness of 1.6 mm
	Tubings (ø 2.4 mm)	KingTubing 2.4	The inner diameter of the tube is ø 2.4 mm with a wall thickness of 1.6 mm
	Tubings (ø 3.2 mm)	KingTubing 3.2	The inner diameter of the tube is ø 3.2 mm with a wall thickness of 1.6 mm